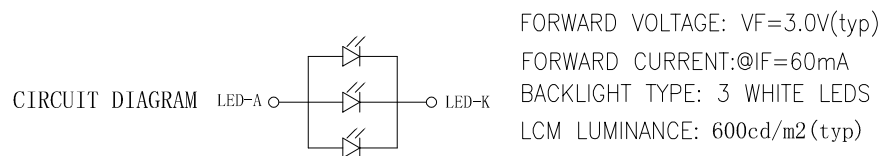
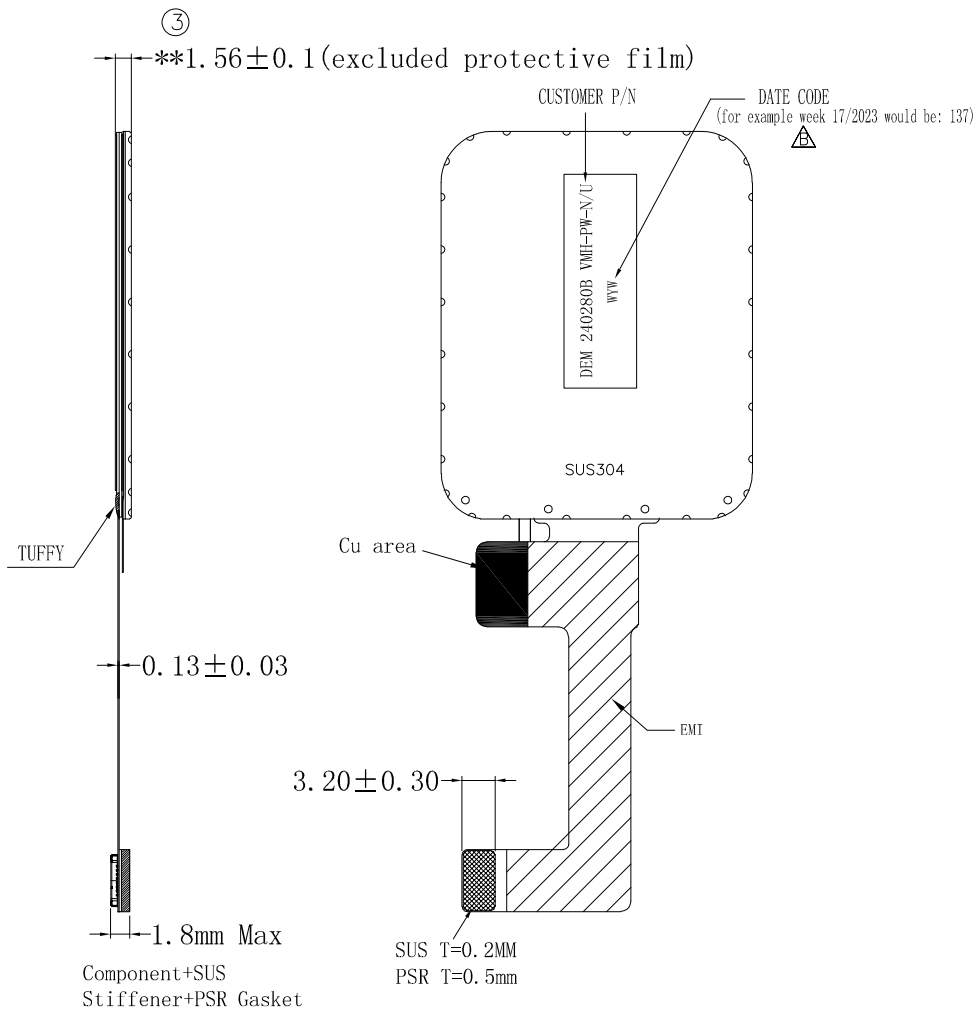
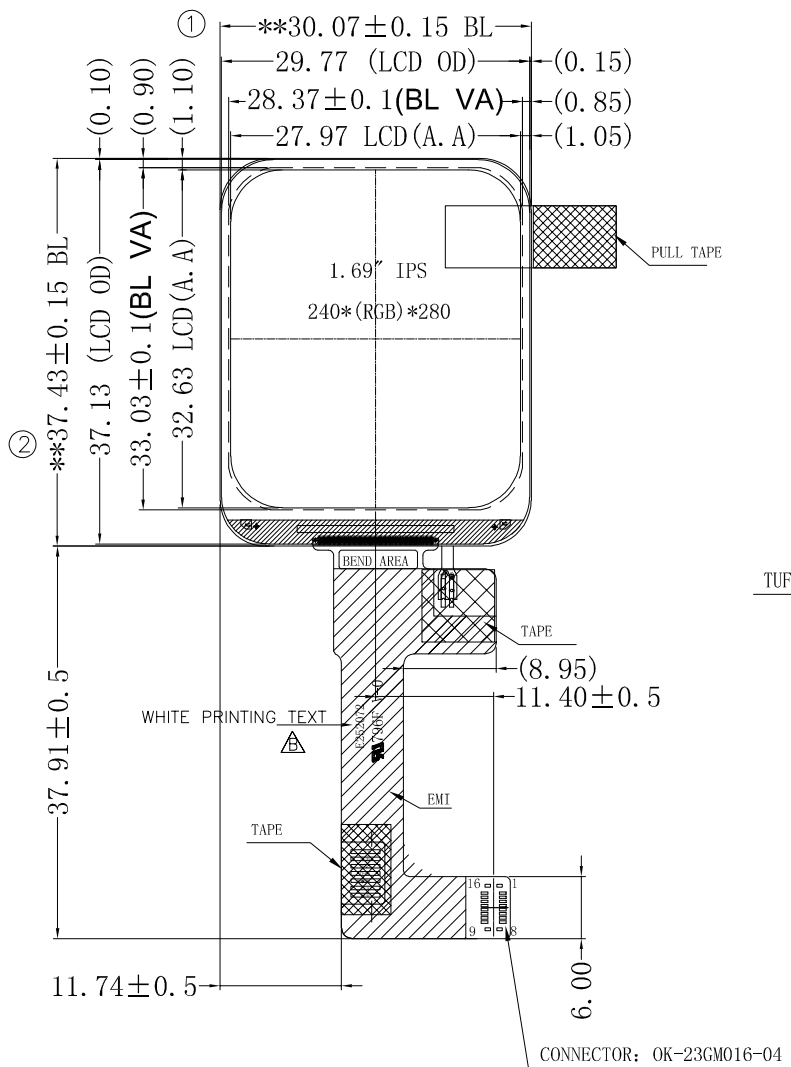


Counter-drawing revision date 图纸版本日期	2023-06-15	
Module type 模块类型	COG+FPC+BLU+PULL TAPE	
Display type 显示类型	TFT (NORMAL BLACK)/TRANSMISSIVE	
Module dimension (WxHxT), mm 模块尺寸	30.07 x 37.43 x 1.56mm (EXCLUDE FPC length)	
Number of dots 点阵个数	240 x R.G.B. x 280 DOTS	
Dot size (WxH), mm 点阵尺寸	0.1165 x 0.1165	
Display area (WxH), mm 显示区	27.97 x 32.63	
Viewing angle 视角	FREE	
Front polarizer type 表偏光片类型	Transmissive normal	
Back polarizer type 底偏光片类型	Transmissive normal	
Driver IC P/N 驱动 IC 型号	ST7789P3	
Interface connector type 界面连接类型	FPC	
Operating temperature 工作温度	-20 °C ~	70 °C
Storage temperature 存储温度	-30 °C ~	80 °C

# PIN ASSIGNMENT:

No.	Pin Define
1	LCD_CLK
2	LCD_DC
3	LCD_SDA
4	LCD_CS
5	GND
6	NC (TP_SDA)
7	NC (TP_SCL)
8	NC (TP_RDY)
9	NC (TP_RESET)
10	LCD_TP_3V0
11	GND
12	LCD_RESET
13	LED_K
14	LCD_ID
15	LED_A
16	LCD_TE



NOTE:

- "◇"SPECIAL DIMENSION (PPK/CPK DATA NEEDED > 1.67)
- "\*\*"CONTROL DIMENSION
- No Use of Prohibited Substances defined in SOP-E-QS-009 and Only purchase Designated Raw Materials from Green Partners.
- DRIVER IC : ST7789P3;